



Pishro Parvaz Parsian Shuttle molding machine was developed to efficiently manufacture a wide variety of rotational molded parts. It is a dual station molding machine equipped with a central oven. The Shuttle Series work in conjunction with two cars, a central oven and two cooling stations to optimize the highest productivity and give the customer an economic advantage. This design gives the customer the versatility to continue to run even during mold change over.

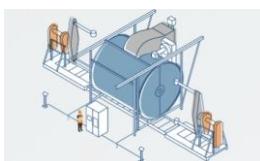
Mechanical Part: It consists of an inline arrangement of a central oven that shares the two cooling/load/unload stations, one on each side of the oven assembly. The oven has a cylindrical horizontal design. Rotoban Plast pioneered the manufacture of machines with cylindrical ovens, which provides a homogeneous airflow in all areas of the oven avoiding "dead spots".

Electrical Part: The machine is equipped with a General Panel where are installed and interconnected all programmable and electromechanical components such as Inverter, computer, contactors, motors breakers, power supplies, transformer, VFDs (variable frequency drives), push buttons, selector switches and light/sound alarms. This panel is mainly used to set the recipe parameters for the production.

Burner System: The heating system of the RotobanPlast machines is done with a gas burner. The machine is supplied with a burner ready to operate with two different types of fuel gas, NG (Natural Gas) and LPG (Liquefied Petroleum Gas).

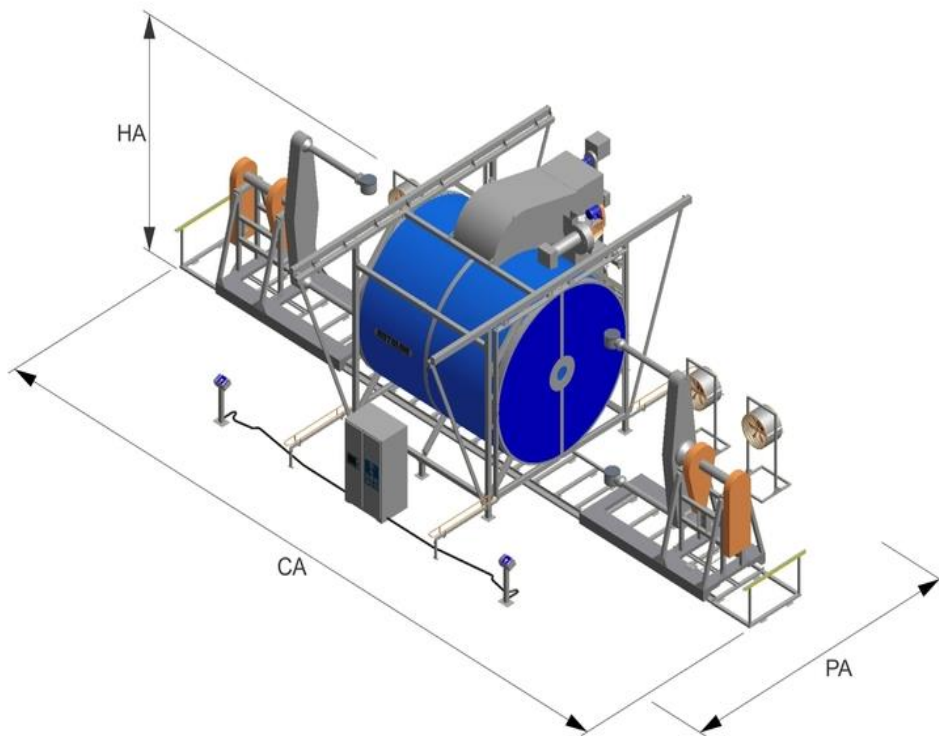
Cars/Arms: The Shuttle machine model has two cars that can be equipped with Straight arm or optional Offset arm "C", both built with a reinforced structure and heat treated for steel stress release.

Management Control: The Manual controller is loaded with a software management control system which gathers information from multiple sensors such as temperature and pressure, installed in various parts of machine, doing all the interlock and control functions of machine operation and providing a specific and concise input to the controller of the gas burner.



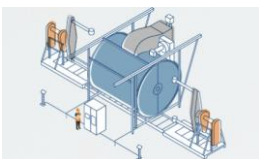
Rotoban Plast.co Iran .Arak Tel:0989184889680

it.net@chmail.ir

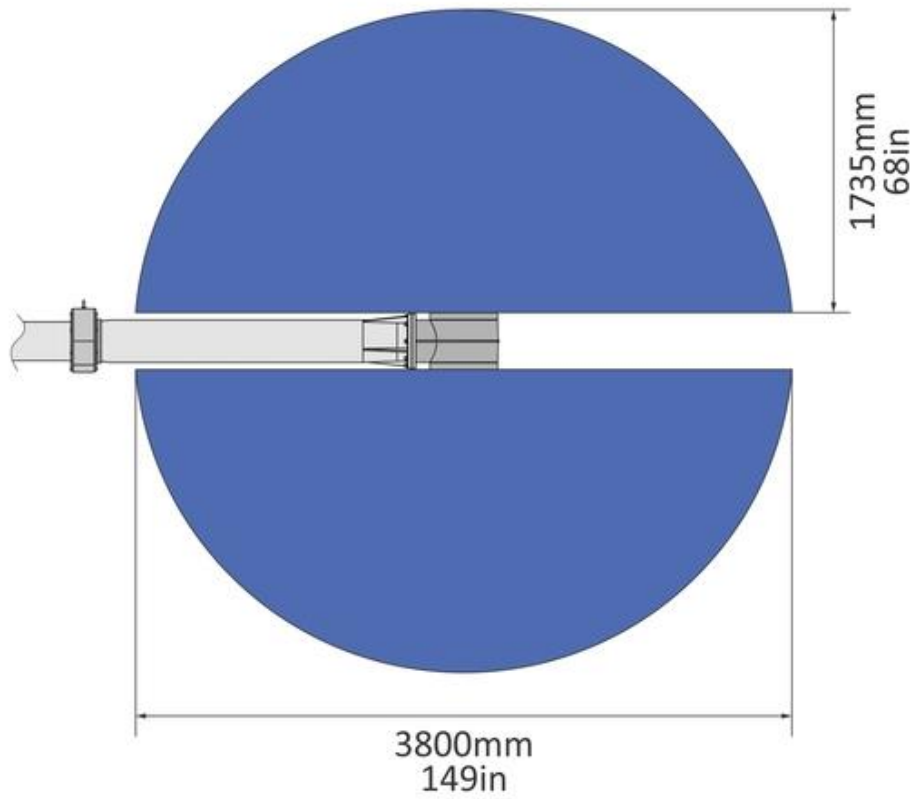


DIMENSIONS

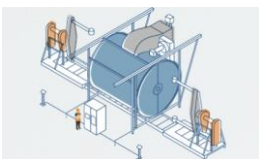
MACHINE MODEL	HA	CA	PA	ØOVEN
DC 4.00XT	5730mm 225in	18400mm 725in	8300mm 327in	4000mm 157in



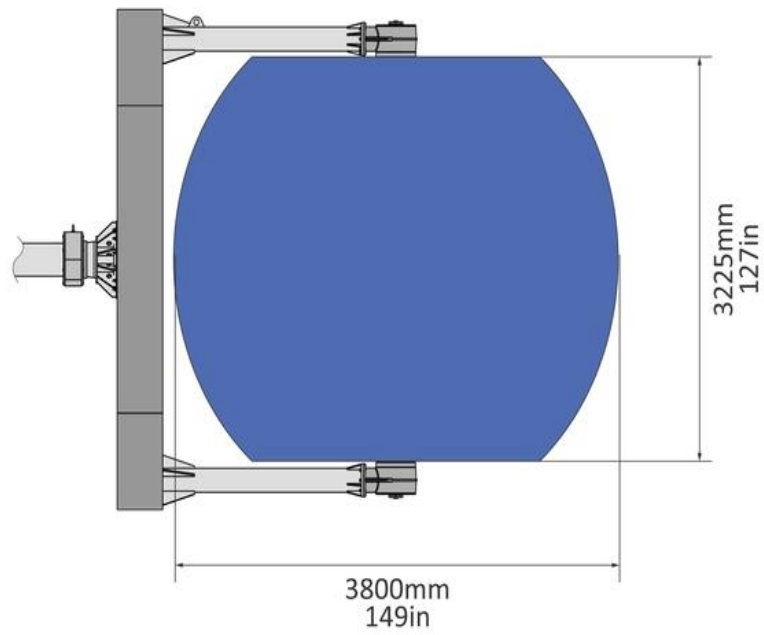
STRAIGHT ARM



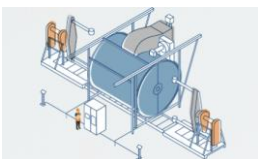
Load Capacity: 2000Kg/4420Lb (US)



OFFSET ARM



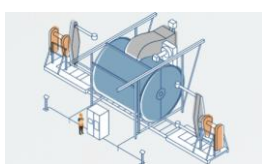
Load Capacity: 1400Kg/3100Lb (US)



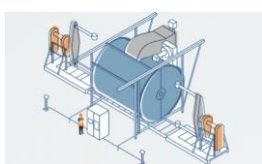
it.net@chmail.ir

Rotoban Plast.co Iran .Arak Tel:0989184889680

Specification model	JC-5000CS/Z
Control system supply voltage	220V、50HZ
Burner fuel	Liquefied gas / natural gas / diesel based on customer
Installed capacity	29.6KW
Oven design temperature	400℃
Oven rotation inner diameter	4000mm
Boom form	2*Straight arm
Number of booms	2
Mold stand single arm load bearing	1800KG
Burner (Iranian Riello sign)	500,000 kcal



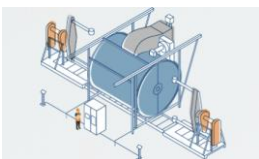
Spindle motor	3.7KW*2
Mandrel motor	2.2KW*2
Car travel motor	0.75KW*2
Circulation fan7#	7.5KW*1
Cooling fan	2.2KW*2
Limit switch	OMRON
Relay	Schneider
500,000 kcalBurner	Radiator, Iranian
High temperature zone bearing	Japan (NACHI: Ntn. nsk)
Brake motor	Iran Cheng Bang
Combustion chamber outer layer	$\delta = 1.5\text{mm}$ Cold plate
Inner layer of combustion chamber	$\delta = 2.0\text{mm}$ Galvanized sheet



Rotoban Plast.co Iran .Arak Tel:0989184889680

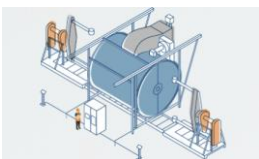
it.net@chmail.ir

Coal box insulation material and thickness	airon silicate cotton120mm
Big arm	$\delta = 35\text{mm}$ Grade: 45# seamless steel pipe
Core arm	$\delta = 20\text{mm}$ Grade: 45# seamless steel pipe
gear	40Cr、45#steel
LPG gas capsule	1*5000 lit
Metal Tank Mold	1*5000 lit 2*3000 lit 1*2000 lit 1*1000 lit



Rotoban Plast.co Iran .Arak Tel:0989184889680

it.net@chmail.ir



it.net@chmail.ir

Rotoban Plast.co Iran .Arak Tel:0989184889680